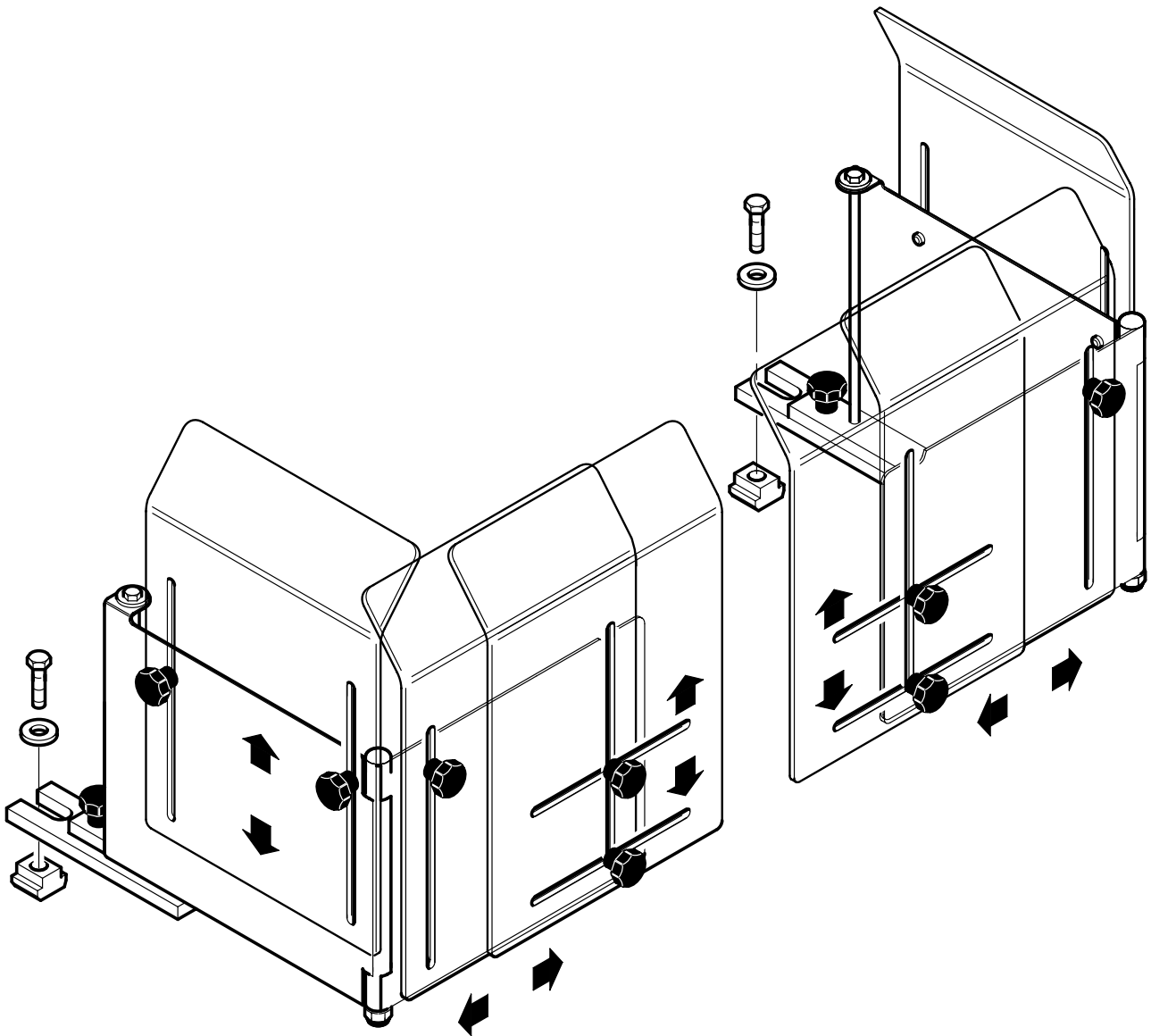


MAX-A-JUST INSTRUCTIONS



Site one half of the guard onto the machine table in the approximate working zone.

Slide the supplied "Tee nut" into an appropriate slot and secure the guard to the table using the M10 stud supplied.

Mount the mating half of the guard in the same manner.

Configure the guard and adjustable visors around the work piece/vice enclosing as much of the hazard as practicable, and secure firmly into position.

**Silvaflame-Cleervue Co Ltd**

www.silvaflame.com

SILVAFLAME-CLEERVUE COMPANY LIMITED

22, Park Street, Bridgtown, Cannock, Staffordshire, WS11 0BX.
United Kingdom.

T: 01543 431060 F: 01543 509140
e-mail: silvaflame@cleervue.com

Manufacturers of MACHINERY SAFETY GUARDS



British made for
over 60 years

