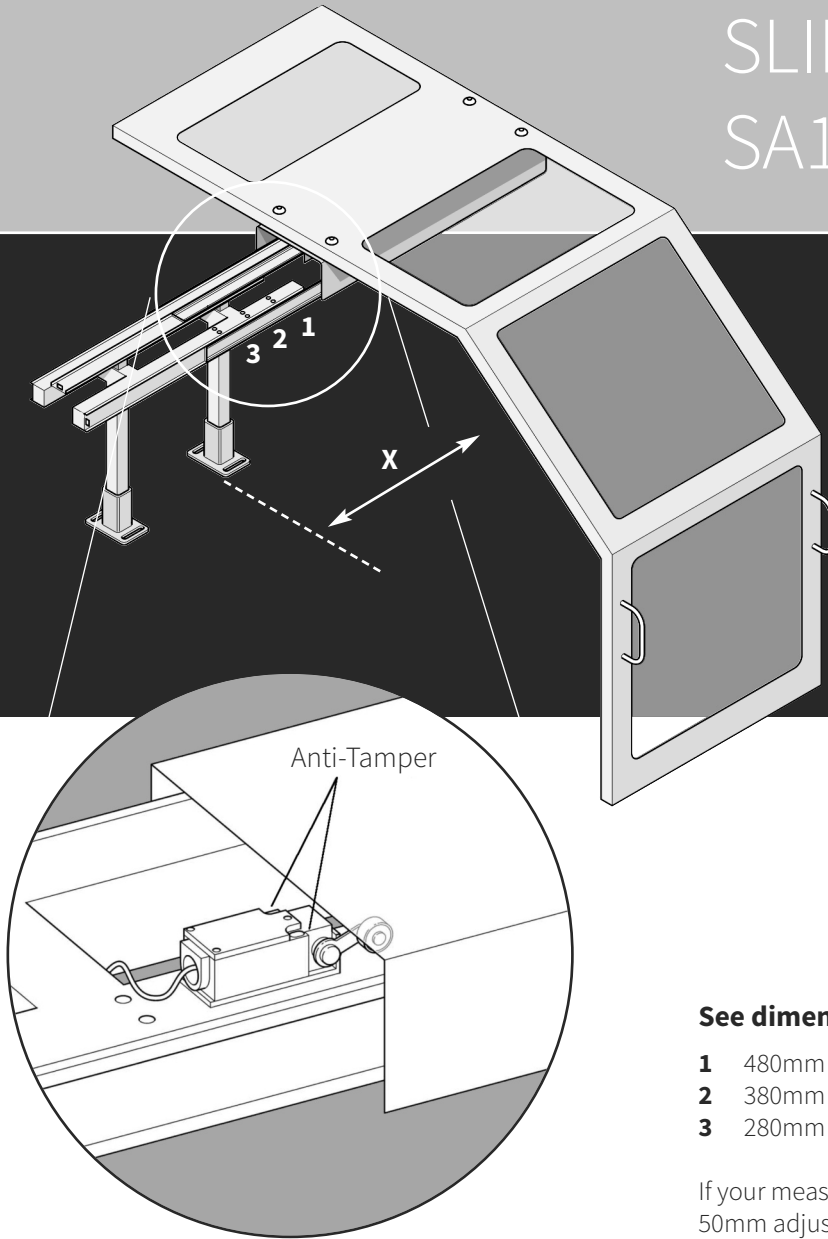


SLIDING LATHEGUARD SA1E/SA2E



This type of Latheguard is equipped with an internal interlocking switch.

It is important that the guard is correctly mounted to ensure that the switch operates as a safety isolator.

This will only occur when the guard is fully employed and has reached the Travel-Stop.

Fitting

First, take a measurement (**x**) from the centre of the work area to the front of a suitable mounting site on the headstock. This measurement will dictate the position of the switch on the front support bracket.

See dimensions below:

| | | | |
|----------|--------------|-----------------|-------------------------|
| 1 | 480mm Travel | Switch Position | Right-Hand Fixing Holes |
| 2 | 380mm Travel | Switch Position | Centre Fixing Holes |
| 3 | 280mm Travel | Switch Position | Left-Hand Fixing Holes |

If your measurement falls below the dimensions above, 50mm adjustment is also available on the mounting bracket.

Fix the switch into required position using anti-tamper screws. A special tool for this purpose is supplied.

The guard may now be mounted to the selected area ensuring that the guard fully covers the 'danger' area, at its fullest extent, and the switch is activated. The height of the guard may be reduced by shortening the lengths of the mounting pillars.

The interlock may now be wired into the machines electrical circuit (reference must be made to the manufacturers handbook or instructions).

British made  for over 60 years



93/1844

SILVAFLAME-CLEERVUE COMPANY LIMITED

22, Park Street, Bridgtown, Cannock, Staffordshire, WS11 0BX. United Kingdom.

T: 01543 431060 F: 01543 509140

e-mail: silvaflame@cleervue.com www.silvaflame.com

